

# NNU4888S.M

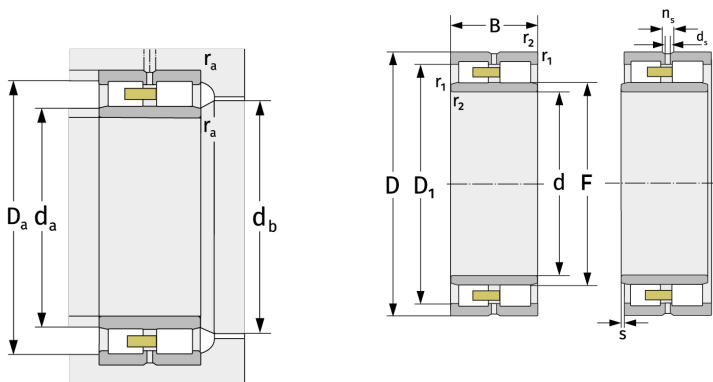
Cylindrical Roller Bearings (double row, with cage)



## Details:

### Main dimensions

d [mm]	440	$D_1$ [mm]	$\approx 506.6$
D [mm]	540	$d_s$ [mm]	8
B [mm]	100	$n_s$ [mm]	15
Weight [kg]	$\approx 50.3$	$r_{1,2}$ [mm]	2.1
F [mm]	473	s [mm]	5.5



Mating dimensions		Calculation data	
$d_{a, \min}$ [mm]	450	C [kN]	1030
$d_{a, \max}$ [mm]	470	$C_0$ [kN]	2970
$d_{b, \min}$ [mm]	477	$C_u$ [kN]	257
$D_{a, \max}$ [mm]	530	$n_{G, \text{Fett}}$ [ $\text{min}^{-1}$ ]	1200
$r_{a, \max}$ [mm]	2.1	$n_{G, \text{Öl-Luft}}$ [ $\text{min}^{-1}$ ]	1400