

NNU4896S.M

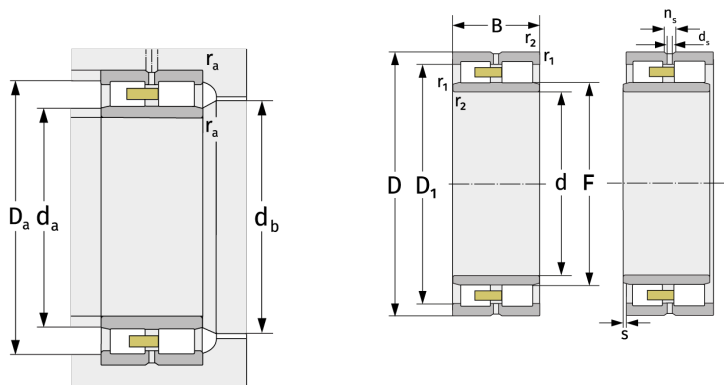
Cylindrical Roller Bearings (double row, with cage)



Details:

Main dimensions

d [mm]	480	D_1 [mm]	≈ 559
D [mm]	600	d_s [mm]	8
B [mm]	118	n_s [mm]	15
Weight [kg]	≈ 78.2	$r_{1,2}$ [mm]	3
F [mm]	519	s [mm]	7



Mating dimensions		Calculation data	
$d_{a, \min}$ [mm]	492	C [kN]	1370
$d_{a, \max}$ [mm]	515	C_0 [kN]	3900
$d_{b, \min}$ [mm]	523	C_u [kN]	328
$D_{a, \max}$ [mm]	588	$n_{G, \text{Fett}}$ [min^{-1}]	1100
$r_{a, \max}$ [mm]	2.5	$n_{G, \text{Öl-Luft}}$ [min^{-1}]	1300