

# NNU49/500S.M

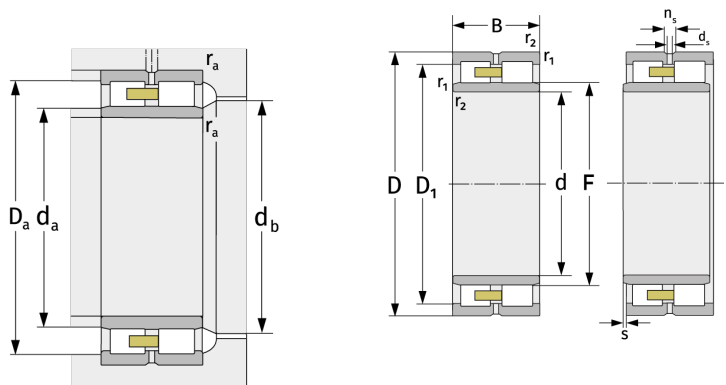
Cylindrical Roller Bearings (double row, with cage)



## Details:

### Main dimensions

d [mm]	500	$D_1$ [mm]	$\approx 611.6$
D [mm]	670	$d_s$ [mm]	9.5
B [mm]	170	$n_s$ [mm]	17.7
Weight [kg]	$\approx 173$	$r_{1,2}$ [mm]	5
F [mm]	554	s [mm]	7.2



Mating dimensions		Calculation data	
$d_{a, \min}$ [mm]	518	C [kN]	2390
$d_{a, \max}$ [mm]	549	$C_0$ [kN]	6300
$d_{b, \min}$ [mm]	558	$C_u$ [kN]	520
$D_{a, \max}$ [mm]	652	$n_{G, \text{Fett}}$ [ $\text{min}^{-1}$ ]	950
$r_{a, \max}$ [mm]	4	$n_{G, \text{Öl-Luft}}$ [ $\text{min}^{-1}$ ]	1200