

# NNU49/670S.M

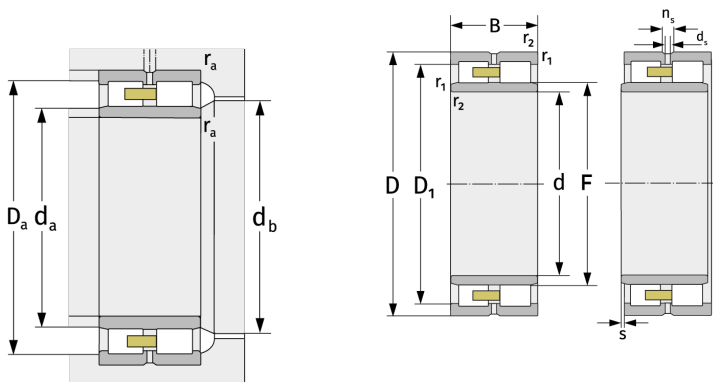
Cylindrical Roller Bearings (double row, with cage)



## Details:

### Main dimensions

d [mm]	670	$D_1$ [mm]	$\approx 824.4$
D [mm]	900	$d_s$ [mm]	12.5
B [mm]	230	$n_s$ [mm]	23.5
Weight [kg]	$\approx 424$	$r_{1,2}$ [mm]	6
F [mm]	738	s [mm]	9



Mating dimensions		Calculation data	
$d_{a, \min}$ [mm]	693	C [kN]	5050
$d_{a, \max}$ [mm]	733	$C_0$ [kN]	13600
$d_{b, \min}$ [mm]	743	$C_u$ [kN]	1030
$D_{a, \max}$ [mm]	877	$n_{G, \text{Fett}}$ [ $\text{min}^{-1}$ ]	660
$r_{a, \max}$ [mm]	5	$n_{G, \text{Öl-Luft}}$ [ $\text{min}^{-1}$ ]	780