

NNU4956S.M

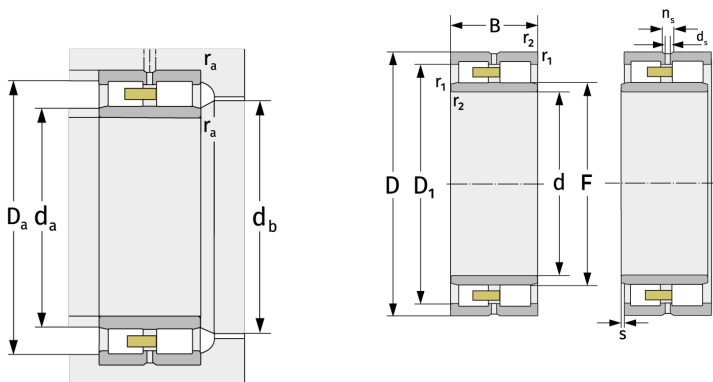
Cylindrical Roller Bearings (double row, with cage)



Details:

Main dimensions

d [mm]	280	D_1 [mm]	≈ 345.6
D [mm]	380	d_s [mm]	8
B [mm]	100	n_s [mm]	15
Weight [kg]	≈ 33	$r_{1,2}$ [mm]	2.1
F [mm]	312	s [mm]	5.4



Mating dimensions		Calculation data	
$d_{a, \min}$ [mm]	290	C [kN]	785
$d_{a, \max}$ [mm]	308	C_0 [kN]	1820
$d_{b, \min}$ [mm]	315	C_u [kN]	176
$D_{a, \max}$ [mm]	370	$n_{G, \text{Fett}}$ [min^{-1}]	1900
$r_{a, \max}$ [mm]	2.1	$n_{G, \text{Öl-Luft}}$ [min^{-1}]	2200