

NNU4976S.M

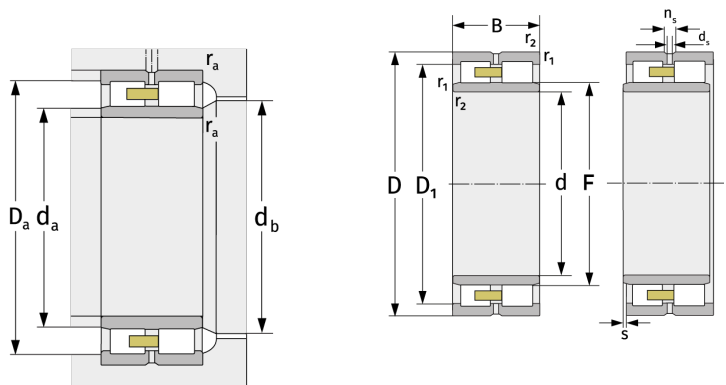
Cylindrical Roller Bearings (double row, with cage)



Details:

Main dimensions

d [mm]	380	D_1 [mm]	≈ 470.8
D [mm]	520	d_s [mm]	9.5
B [mm]	140	n_s [mm]	17.7
Weight [kg]	≈ 90.6	$r_{1,2}$ [mm]	4
F [mm]	426	s [mm]	7.2



Mating dimensions		Calculation data	
$d_{a, \min}$ [mm]	395	C [kN]	1470
$d_{a, \max}$ [mm]	421	C_0 [kN]	3700
$d_{b, \min}$ [mm]	430	C_u [kN]	328
$D_{a, \max}$ [mm]	505	$n_{G, \text{Fett}}$ [min^{-1}]	1300
$r_{a, \max}$ [mm]	3	$n_{G, \text{Öl-Luft}}$ [min^{-1}]	1600