

# NNU4980S.M

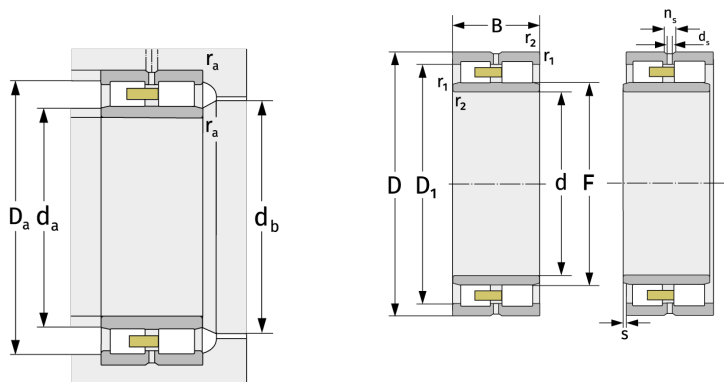
Cylindrical Roller Bearings (double row, with cage)



## Details:

### Main dimensions

d [mm]	400	$D_1$ [mm]	$\approx 490.8$
D [mm]	540	$d_s$ [mm]	9.5
B [mm]	140	$n_s$ [mm]	17.7
Weight [kg]	$\approx 94.7$	$r_{1,2}$ [mm]	4
F [mm]	446	s [mm]	7.2



Mating dimensions		Calculation data	
$d_{a, \min}$ [mm]	415	C [kN]	1520
$d_{a, \max}$ [mm]	441	$C_0$ [kN]	3900
$d_{b, \min}$ [mm]	450	$C_u$ [kN]	341
$D_{a, \max}$ [mm]	525	$n_{G, \text{Fett}}$ [ $\text{min}^{-1}$ ]	1300
$r_{a, \max}$ [mm]	3	$n_{G, \text{Öl-Luft}}$ [ $\text{min}^{-1}$ ]	1500