

# NNU6013V

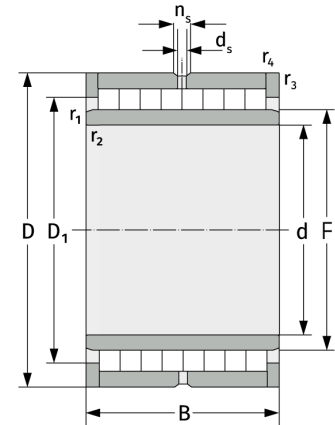
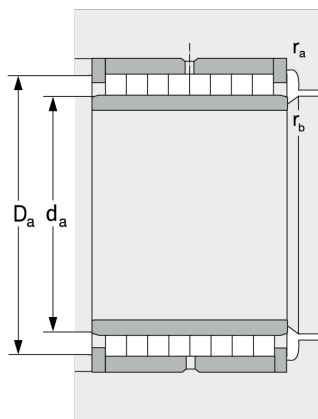
Cylindrical Roller Bearings (full complement, multi row)



## Details:

### Main dimensions

d [mm]	65	$d_s$ [mm]	3.2
D [mm]	100	$n_s$ [mm]	4.8
B [mm]	63	$r_{1,2}$ [mm]	1.1
Weight [kg]	≈ 1.99	$r_{3,4}$ [mm]	1.1
$D_1$ [mm]	≈ 87.2		



### Mating dimensions

$d_{a, \min}$ [mm]	71
$D_{a, \max}$ [mm]	94
$r_{a, \max}$ [mm]	1
$r_{b, \max}$ [mm]	1

### Calculation data

C [kN]	229
$C_0$ [kN]	520
$C_u$ [kN]	68.3