

# NNU6016V

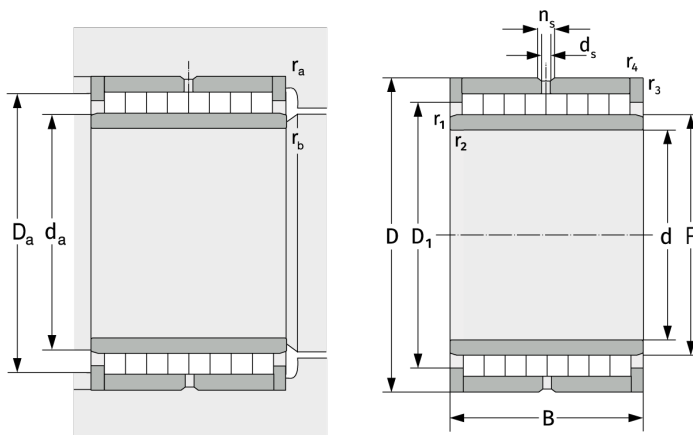
Cylindrical Roller Bearings (full complement, multi row)



## Details:

### Main dimensions

d [mm]	80	$d_s$ [mm]	3.2
D [mm]	125	$n_s$ [mm]	4.8
B [mm]	80	$r_{1,2}$ [mm]	1.1
Weight [kg]	≈ 4.04	$r_{3,4}$ [mm]	1.1
$D_1$ [mm]	≈ 109.15		



Mating dimensions		Calculation data	
$d_{a, \min}$ [mm]	86	C [kN]	359
$D_{a, \max}$ [mm]	119	$C_0$ [kN]	835
$r_{a, \max}$ [mm]	1	$C_u$ [kN]	113
$r_{b, \max}$ [mm]	1		