

# NNU6019V

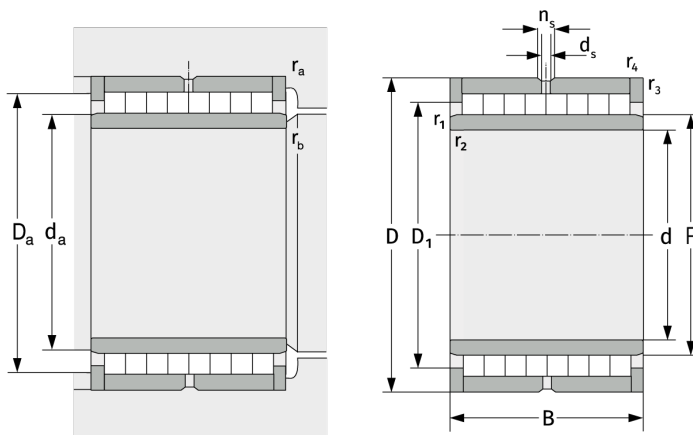
Cylindrical Roller Bearings (full complement, multi row)



## Details:

### Main dimensions

d [mm]	95	$d_s$ [mm]	3.2
D [mm]	145	$n_s$ [mm]	4.8
B [mm]	90	$r_{1,2}$ [mm]	1.5
Weight [kg]	≈ 5.92	$r_{3,4}$ [mm]	1.5
$D_1$ [mm]	≈ 124.5		



### Mating dimensions

$d_{a, \min}$ [mm]	102
$D_{a, \max}$ [mm]	138
$r_{a, \max}$ [mm]	1.5
$r_{b, \max}$ [mm]	1.5

### Calculation data

C [kN]	448
$C_0$ [kN]	1080
$C_u$ [kN]	140