

# NNU6020V

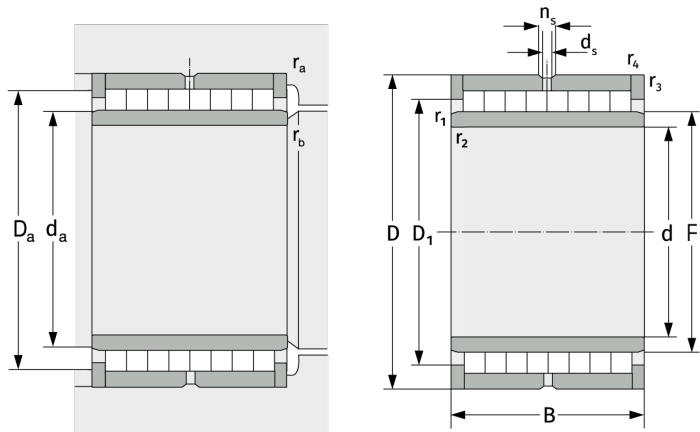
Cylindrical Roller Bearings (full complement, multi row)



## Details:

### Main dimensions

d [mm]	100	$d_s$ [mm]	3.2
D [mm]	150	$n_s$ [mm]	6.5
B [mm]	90	$r_{1,2}$ [mm]	1.5
Weight [kg]	≈ 6.15	$r_{3,4}$ [mm]	1.5
$D_1$ [mm]	≈ 131		



### Mating dimensions

$d_{a, \min}$ [mm]	107
$D_{a, \max}$ [mm]	143
$r_{a, \max}$ [mm]	1.5
$r_{b, \max}$ [mm]	1.5

### Calculation data

C [kN]	461
$C_0$ [kN]	1140
$C_u$ [kN]	146