

NNU6032M

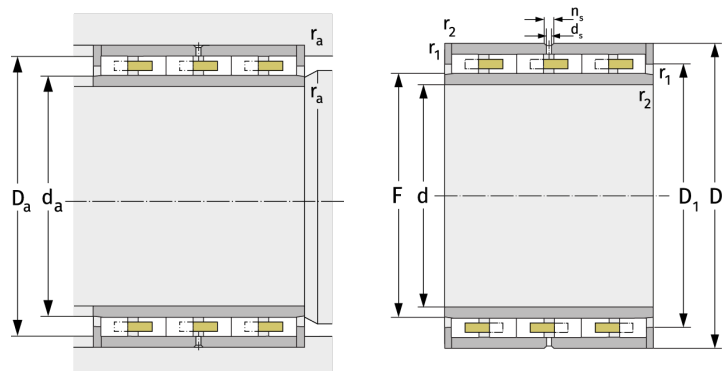
Cylindrical Roller Bearings (multi row, with cage)



Details:

Main dimensions

d [mm]	160	d_s [mm]	3.2
D [mm]	240	n_s [mm]	6.5
B [mm]	145	$r_{1,2}$ [mm]	2.1
Weight [kg]	≈ 24.3	$r_{3,4}$ [mm]	2.1
F [mm]	184	s [mm]	4
D_1 [mm]	≈ 209.6		



Mating dimensions		Calculation data	
$d_{a, \min}$ [mm]	181	C [kN]	795
$D_{a, \max}$ [mm]	230	C_0 [kN]	1900
$r_{a, \max}$ [mm]	2.1	C_u [kN]	212
$r_{b, \max}$ [mm]	2.1	n_g [min ⁻¹]	2900