

# NNU6040M

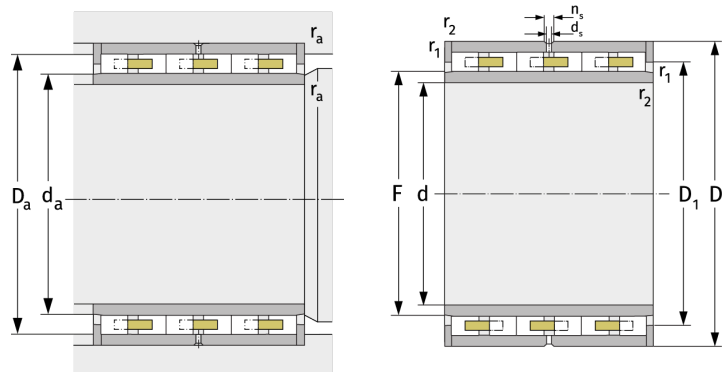
Cylindrical Roller Bearings (multi row, with cage)



## Details:

### Main dimensions

d [mm]	200	$d_s$ [mm]	3.2
D [mm]	310	$n_s$ [mm]	6.5
B [mm]	200	$r_{1,2}$ [mm]	2.1
Weight [kg]	≈ 58.7	$r_{3,4}$ [mm]	2.1
F [mm]	232	s [mm]	6
$D_1$ [mm]	≈ 267.2		



Mating dimensions		Calculation data	
$d_{a, \min}$ [mm]	230	C [kN]	1360
$D_{a, \max}$ [mm]	300	$C_0$ [kN]	3250
$r_{a, \max}$ [mm]	2.1	$C_u$ [kN]	339
$r_{b, \max}$ [mm]	2.1	$n_g$ [min <sup>-1</sup> ]	2200