

NNU6044M

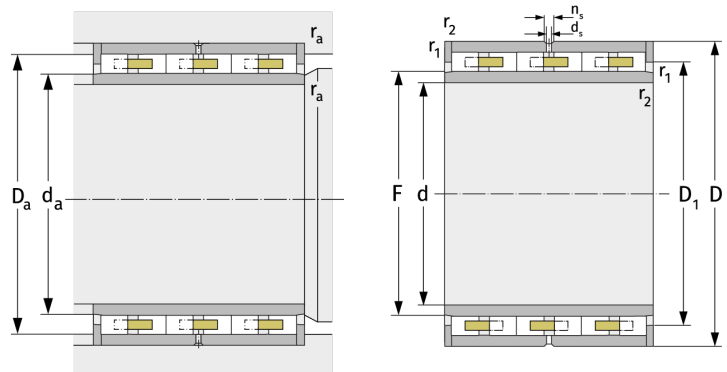
Cylindrical Roller Bearings (multi row, with cage)



Details:

Main dimensions

d [mm]	220	d_s [mm]	3.2
D [mm]	340	n_s [mm]	6.5
B [mm]	218	$r_{1,2}$ [mm]	3
Weight [kg]	≈ 77.4	$r_{3,4}$ [mm]	3
F [mm]	252.5	s [mm]	7
D_1 [mm]	≈ 289.3		



Mating dimensions		Calculation data	
$d_{a, \min}$ [mm]	250	C [kN]	1560
$D_{a, \max}$ [mm]	328	C_0 [kN]	3870
$r_{a, \max}$ [mm]	2.5	C_u [kN]	395
$r_{b, \max}$ [mm]	2.5	n_g [min^{-1}]	2000