

NNU6044V

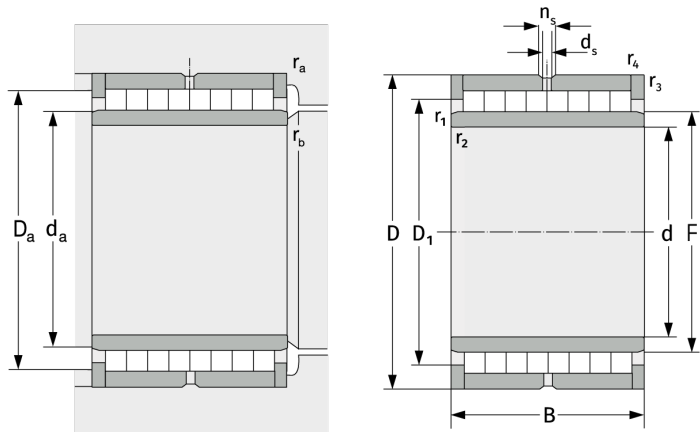
Cylindrical Roller Bearings (full complement, multi row)



Details:

Main dimensions

d [mm]	220	d_s [mm]	3.2
D [mm]	340	n_s [mm]	6.5
B [mm]	218	$r_{1,2}$ [mm]	3
Weight [kg]	≈ 80.3	$r_{3,4}$ [mm]	3
D_1 [mm]	≈ 289.3		



Mating dimensions

$d_{a, \min}$ [mm]	232
$D_{a, \max}$ [mm]	328
$r_{a, \max}$ [mm]	2.5
$r_{b, \max}$ [mm]	2.5

Calculation data

C [kN]	2220
C_0 [kN]	6150
C_u [kN]	627