

NNU6060M

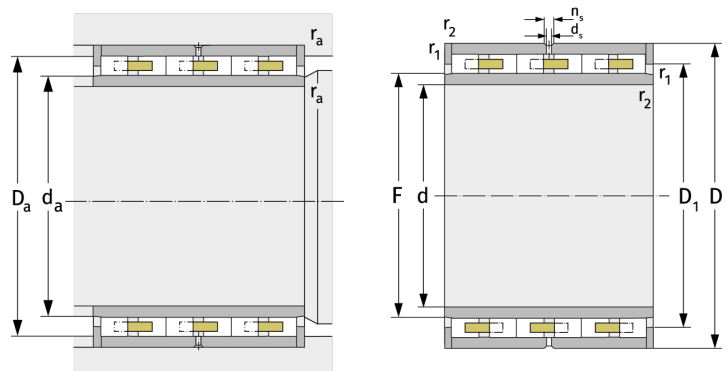
Cylindrical Roller Bearings (multi row, with cage)



Details:

Main dimensions

d [mm]	300	d_s [mm]	4.8
D [mm]	460	n_s [mm]	9.5
B [mm]	290	$r_{1,2}$ [mm]	4
Weight [kg]	≈ 185	$r_{3,4}$ [mm]	4
F [mm]	347	s [mm]	9
D_1 [mm]	≈ 398.2		



Mating dimensions		Calculation data	
$d_{a, \min}$ [mm]	345	C [kN]	2790
$D_{a, \max}$ [mm]	445	C_0 [kN]	7200
$r_{a, \max}$ [mm]	3	C_u [kN]	670
$r_{b, \max}$ [mm]	3	n_g [min^{-1}]	1500