

# NNU6076M

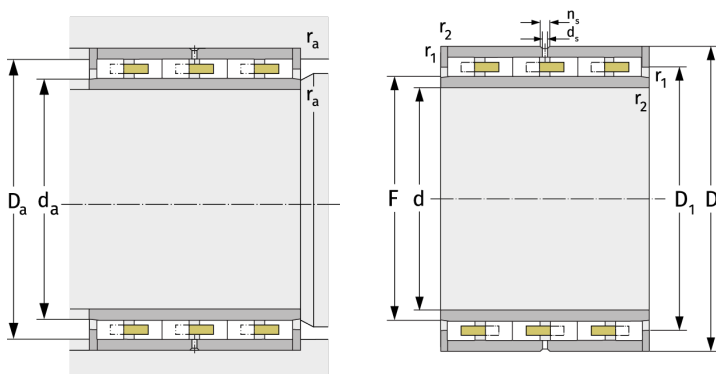
Cylindrical Roller Bearings (multi row, with cage)



## Details:

### Main dimensions

d [mm]	380	$d_s$ [mm]	6.3
D [mm]	560	$n_s$ [mm]	12.2
B [mm]	325	$r_{1,2}$ [mm]	5
Weight [kg]	≈ 288	$r_{3,4}$ [mm]	5
F [mm]	436	s [mm]	10
$D_1$ [mm]	≈ 493.6		



Mating dimensions		Calculation data	
$d_{a, \min}$ [mm]	432	C [kN]	3640
$D_{a, \max}$ [mm]	542	$C_0$ [kN]	10100
$r_{a, \max}$ [mm]	4	$C_u$ [kN]	883
$r_{b, \max}$ [mm]	4	$n_g$ [min <sup>-1</sup> ]	1100