

NNU6080M

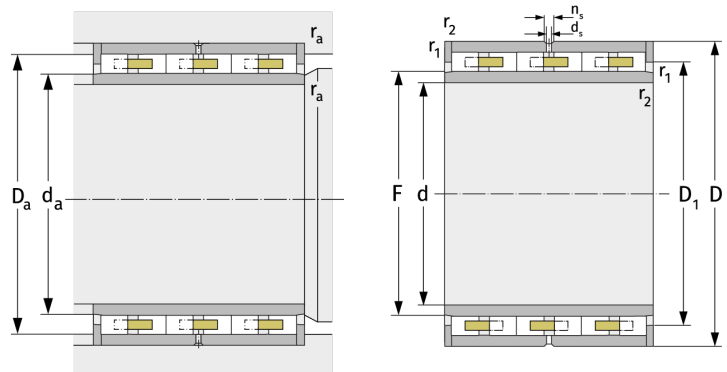
Cylindrical Roller Bearings (multi row, with cage)



Details:

Main dimensions

d [mm]	400	d_s [mm]	6.3
D [mm]	600	n_s [mm]	12.2
B [mm]	355	$r_{1,2}$ [mm]	5
Weight [kg]	≈ 374	$r_{3,4}$ [mm]	5
F [mm]	459	s [mm]	9
D_1 [mm]	≈ 523		



Mating dimensions		Calculation data	
$d_{a, \min}$ [mm]	454	C [kN]	4390
$D_{a, \max}$ [mm]	582	C_0 [kN]	12100
$r_{a, \max}$ [mm]	4	C_u [kN]	1041
$r_{b, \max}$ [mm]	4	n_g [min ⁻¹]	1100