

NNU6084V

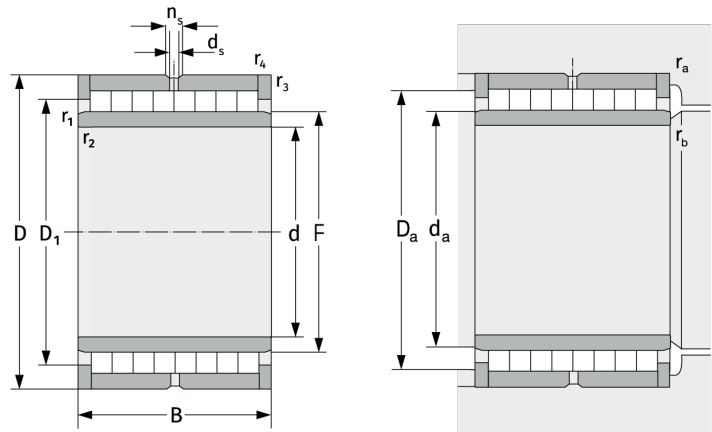
Cylindrical Roller Bearings (full complement, multi row)



Details:

Main dimensions

d [mm]	420	d_s [mm]	8
D [mm]	620	n_s [mm]	15
B [mm]	355	$r_{1,2}$ [mm]	5
Weight [kg]	≈ 405	$r_{3,4}$ [mm]	5
D_1 [mm]	≈ 549		



Mating dimensions

$d_{a, \min}$ [mm]	438
$D_{a, \max}$ [mm]	602
$r_{a, \max}$ [mm]	4
$r_{b, \max}$ [mm]	4

Calculation data

C [kN]	6400
C_0 [kN]	20100
C_u [kN]	1704