

NNU6909V

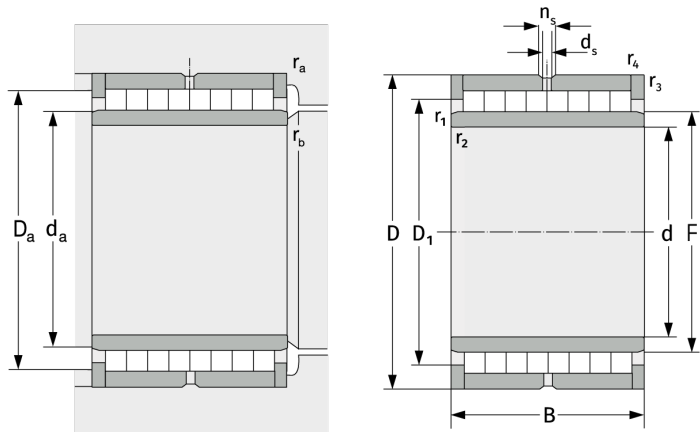
Cylindrical Roller Bearings (full complement, multi row)



Details:

Main dimensions

d [mm]	45	d_s [mm]	3.2
D [mm]	68	n_s [mm]	4.8
B [mm]	40	$r_{1,2}$ [mm]	0.6
Weight [kg]	≈ 0.561	$r_{3,4}$ [mm]	0.6
D_1 [mm]	≈ 58.75		



Mating dimensions

$d_{a, \min}$ [mm]	48
$D_{a, \max}$ [mm]	65
$r_{a, \max}$ [mm]	0.6
$r_{b, \max}$ [mm]	0.6

Calculation data

C [kN]	84.6
C_0 [kN]	190
C_u [kN]	25