

NNU6912V

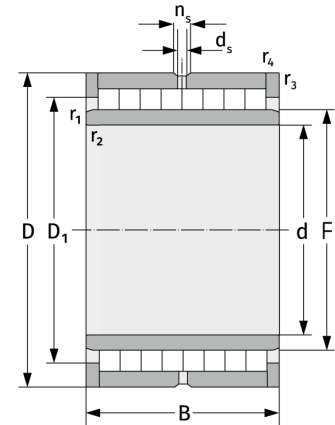
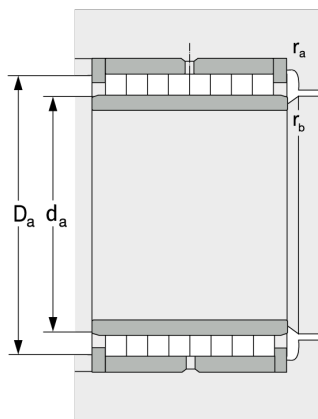
Cylindrical Roller Bearings (full complement, multi row)



Details:

Main dimensions

d [mm]	60	d_s [mm]	3.2
D [mm]	85	n_s [mm]	4.8
B [mm]	45	$r_{1,2}$ [mm]	1
Weight [kg]	≈ 0.893	$r_{3,4}$ [mm]	1
D_1 [mm]	≈ 75		



Mating dimensions

$d_{a, \min}$ [mm]	65
$D_{a, \max}$ [mm]	80
$r_{a, \max}$ [mm]	1
$r_{b, \max}$ [mm]	1

Calculation data

C [kN]	132
C_0 [kN]	310
C_u [kN]	40.7