

NNU6916V

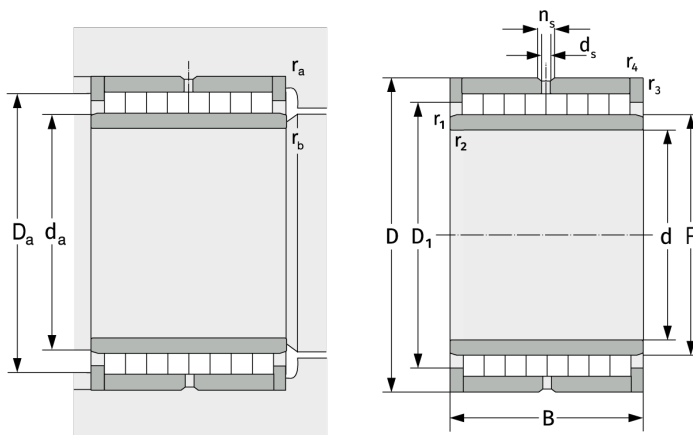
Cylindrical Roller Bearings (full complement, multi row)



Details:

Main dimensions

| | | | |
|-------------|--------|----------------|-----|
| d [mm] | 80 | d_s [mm] | 3.2 |
| D [mm] | 110 | n_s [mm] | 4.8 |
| B [mm] | 54 | $r_{1,2}$ [mm] | 1 |
| Weight [kg] | ≈ 1.69 | $r_{3,4}$ [mm] | 1 |
| D_1 [mm] | ≈ 97.6 | | |



Mating dimensions

| | |
|--------------------|-----|
| $d_{a, \min}$ [mm] | 85 |
| $D_{a, \max}$ [mm] | 105 |
| $r_{a, \max}$ [mm] | 1 |
| $r_{b, \max}$ [mm] | 1 |

Calculation data

| | |
|------------|------|
| C [kN] | 198 |
| C_0 [kN] | 505 |
| C_u [kN] | 66.4 |