

# NNU6920M

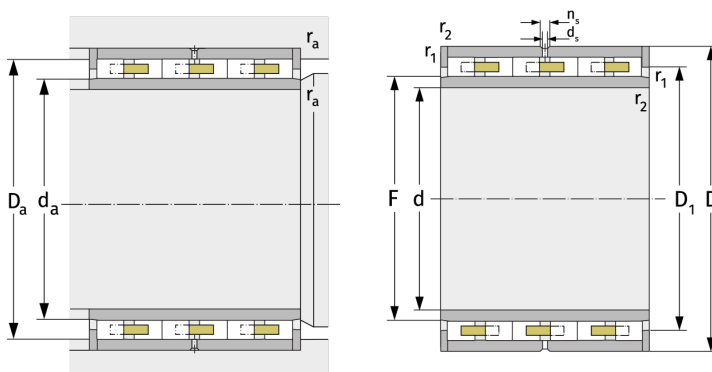
Cylindrical Roller Bearings (multi row, with cage)



## Details:

### Main dimensions

d [mm]	100	$d_s$ [mm]	3.2
D [mm]	140	$n_s$ [mm]	6.5
B [mm]	71	$r_{1,2}$ [mm]	1.1
Weight [kg]	≈ 3.56	$r_{3,4}$ [mm]	1.1
F [mm]	112.25	s [mm]	2
$D_1$ [mm]	≈		
	125.05		



Mating dimensions		Calculation data	
$d_{a, \min}$ [mm]	110	C [kN]	227
$D_{a, \max}$ [mm]	134	$C_0$ [kN]	530
$r_{a, \max}$ [mm]	1	$C_u$ [kN]	68.5
$r_{b, \max}$ [mm]	1	$n_g$ [ $\text{min}^{-1}$ ]	4900