

NNU6921M

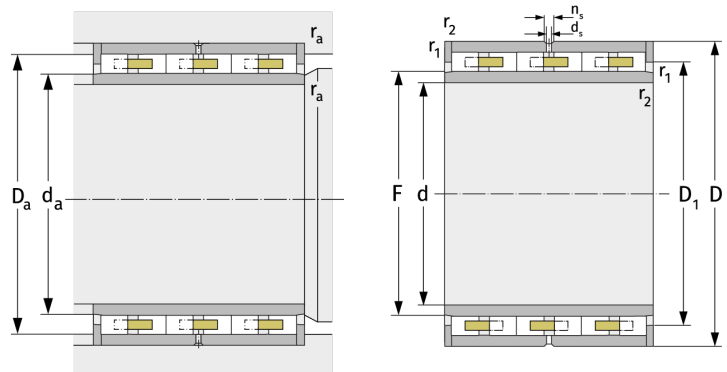
Cylindrical Roller Bearings (multi row, with cage)



Details:

Main dimensions

d [mm]	105	d_s [mm]	3.2
D [mm]	145	n_s [mm]	6.5
B [mm]	71	$r_{1,2}$ [mm]	1.1
Weight [kg]	≈ 3.71	$r_{3,4}$ [mm]	1.1
F [mm]	117.25	s [mm]	2
D_1 [mm]	≈		
	130.05		



Mating dimensions		Calculation data	
$d_{a, \min}$ [mm]	115	C [kN]	234
$D_{a, \max}$ [mm]	139	C_0 [kN]	560
$r_{a, \max}$ [mm]	1	C_u [kN]	71.5
$r_{b, \max}$ [mm]	1	n_g [min ⁻¹]	4700