

NNU6924M

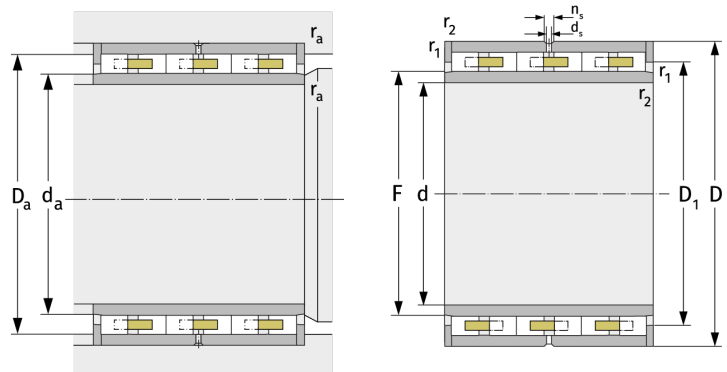
Cylindrical Roller Bearings (multi row, with cage)



Details:

Main dimensions

d [mm]	120	d_s [mm]	3.2
D [mm]	165	n_s [mm]	6.5
B [mm]	80	$r_{1,2}$ [mm]	1.1
Weight [kg]	≈ 5.35	$r_{3,4}$ [mm]	1.1
F [mm]	132	s [mm]	2
D_1 [mm]	≈ 146.4		



Mating dimensions		Calculation data	
$d_{a, \min}$ [mm]	130	C [kN]	283
$D_{a, \max}$ [mm]	159	C_0 [kN]	680
$r_{a, \max}$ [mm]	1	C_u [kN]	83.9
$r_{b, \max}$ [mm]	1	n_g [min ⁻¹]	4100