

NNU6936M

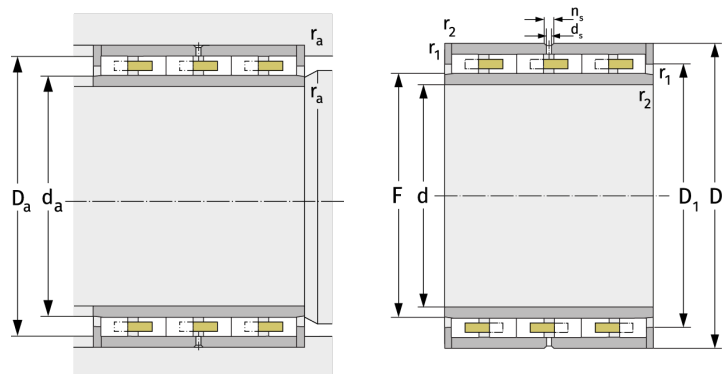
Cylindrical Roller Bearings (multi row, with cage)



Details:

Main dimensions

| | | | |
|-------------|---------|----------------|-----|
| d [mm] | 180 | d_s [mm] | 3.2 |
| D [mm] | 250 | n_s [mm] | 6.5 |
| B [mm] | 125 | $r_{1,2}$ [mm] | 2 |
| Weight [kg] | ≈ 19.7 | $r_{3,4}$ [mm] | 2 |
| F [mm] | 201 | s [mm] | 4 |
| D_1 [mm] | ≈ 223.4 | | |



| Mating dimensions | | Calculation data | |
|--------------------|-----|----------------------------|------|
| $d_{a, \min}$ [mm] | 199 | C [kN] | 670 |
| $D_{a, \max}$ [mm] | 241 | C_0 [kN] | 1730 |
| $r_{a, \max}$ [mm] | 2 | C_u [kN] | 189 |
| $r_{b, \max}$ [mm] | 2 | n_g [min ⁻¹] | 2700 |