

NNU6952M

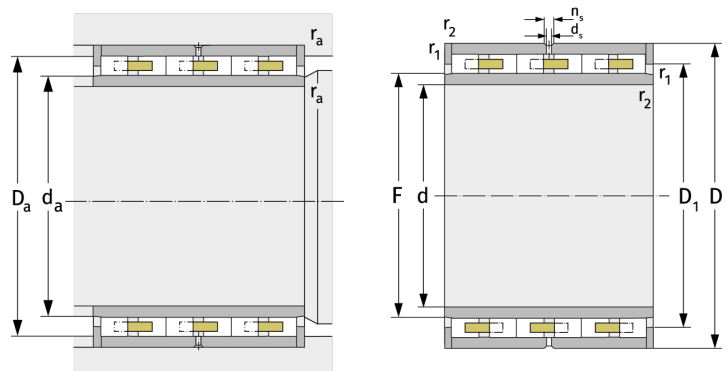
Cylindrical Roller Bearings (multi row, with cage)



Details:

Main dimensions

d [mm]	260	d_s [mm]	3.2
D [mm]	360	n_s [mm]	6.5
B [mm]	180	$r_{1,2}$ [mm]	2.1
Weight [kg]	≈ 58.2	$r_{3,4}$ [mm]	2.1
F [mm]	293.25	s [mm]	5
D_1 [mm]	≈		
	325.25		



Mating dimensions		Calculation data	
$d_{a, \min}$ [mm]	291	C [kN]	1340
$D_{a, \max}$ [mm]	350	C_0 [kN]	3680
$r_{a, \max}$ [mm]	2.1	C_u [kN]	362
$r_{b, \max}$ [mm]	2.1	n_g [min^{-1}]	1800