

NNU6964V

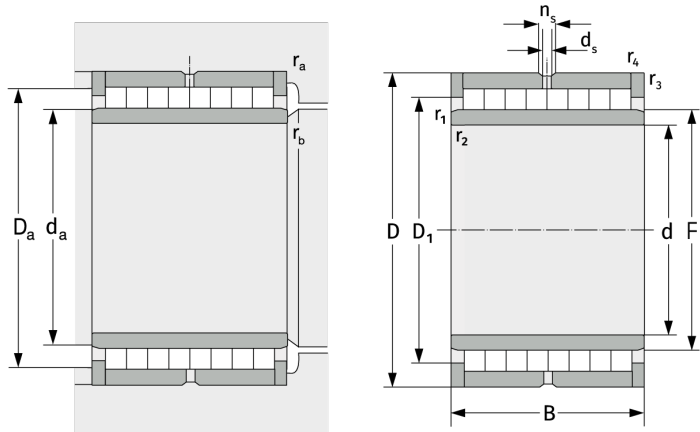
Cylindrical Roller Bearings (full complement, multi row)



Details:

Main dimensions

d [mm]	320	d_s [mm]	4.8
D [mm]	440	n_s [mm]	9.5
B [mm]	218	$r_{1,2}$ [mm]	3
Weight [kg]	≈ 108	$r_{3,4}$ [mm]	3
D_1 [mm]	≈ 397.9		



Mating dimensions

$d_{a, \min}$ [mm]	332
$D_{a, \max}$ [mm]	428
$r_{a, \max}$ [mm]	2.5
$r_{b, \max}$ [mm]	2.5

Calculation data

C [kN]	2770
C_0 [kN]	8900
C_u [kN]	826