

# NNU6968M

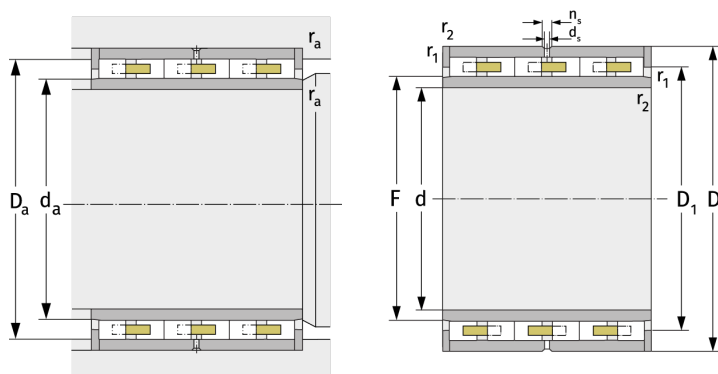
Cylindrical Roller Bearings (multi row, with cage)



## Details:

### Main dimensions

d [mm]	340	$d_s$ [mm]	4.8
D [mm]	460	$n_s$ [mm]	9.5
B [mm]	218	$r_{1,2}$ [mm]	3
Weight [kg]	≈ 109	$r_{3,4}$ [mm]	3
F [mm]	374.7	s [mm]	7
$D_1$ [mm]	≈ 413.1		



Mating dimensions		Calculation data	
$d_{a, \min}$ [mm]	371	C [kN]	1930
$D_{a, \max}$ [mm]	448	$C_0$ [kN]	5650
$r_{a, \max}$ [mm]	2.5	$C_u$ [kN]	518
$r_{b, \max}$ [mm]	2.5	$n_g$ [ $\text{min}^{-1}$ ]	1400