

# NNU6968V

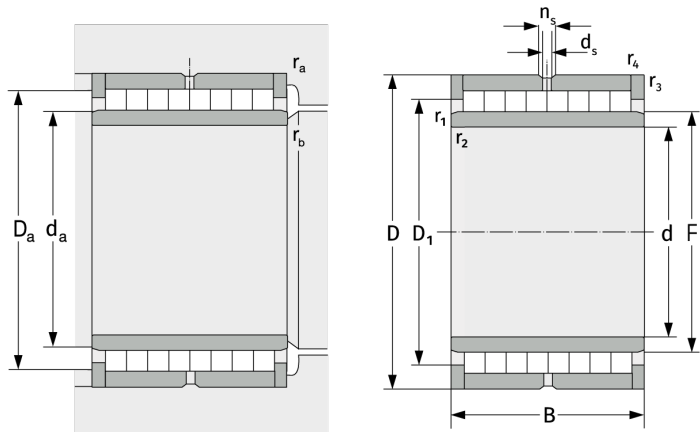
Cylindrical Roller Bearings (full complement, multi row)



## Details:

### Main dimensions

d [mm]	340	$d_s$ [mm]	4.8
D [mm]	460	$n_s$ [mm]	9.5
B [mm]	218	$r_{1,2}$ [mm]	3
Weight [kg]	≈ 114	$r_{3,4}$ [mm]	3
$D_1$ [mm]	≈ 413.1		



### Mating dimensions

$d_{a, \min}$ [mm]	352
$D_{a, \max}$ [mm]	448
$r_{a, \max}$ [mm]	2.5
$r_{b, \max}$ [mm]	2.5

### Calculation data

C [kN]	2830
$C_0$ [kN]	9250
$C_u$ [kN]	849