

# NNU6984V

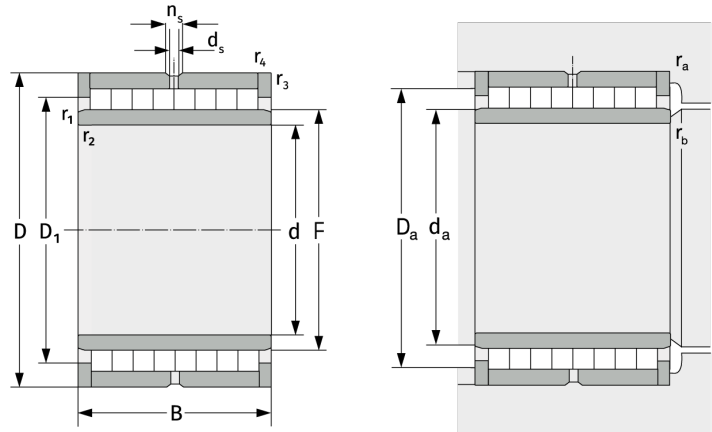
Cylindrical Roller Bearings (full complement, multi row)



## Details:

### Main dimensions

d [mm]	420	$d_s$ [mm]	8
D [mm]	560	$n_s$ [mm]	15
B [mm]	250	$r_{1,2}$ [mm]	4
Weight [kg]	≈ 188	$r_{3,4}$ [mm]	4
$D_1$ [mm]	≈ 508.5		



### Mating dimensions

$d_{a, \min}$ [mm]	435
$D_{a, \max}$ [mm]	545
$r_{a, \max}$ [mm]	3
$r_{b, \max}$ [mm]	3

### Calculation data

C [kN]	3860
$C_0$ [kN]	13300
$C_u$ [kN]	1149