

# NNU6988M

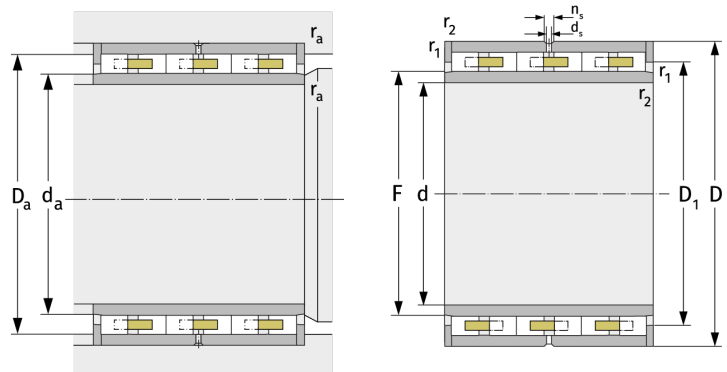
Cylindrical Roller Bearings (multi row, with cage)



## Details:

### Main dimensions

d [mm]	440	$d_s$ [mm]	8
D [mm]	600	$n_s$ [mm]	15
B [mm]	290	$r_{1,2}$ [mm]	4
Weight [kg]	≈ 251	$r_{3,4}$ [mm]	4
F [mm]	489	s [mm]	9
$D_1$ [mm]	≈ 540.2		



Mating dimensions		Calculation data	
$d_{a, \min}$ [mm]	484	C [kN]	3240
$D_{a, \max}$ [mm]	585	$C_0$ [kN]	9800
$r_{a, \max}$ [mm]	3	$C_u$ [kN]	833
$r_{b, \max}$ [mm]	3	$n_g$ [ $\text{min}^{-1}$ ]	980