

NNU6988V

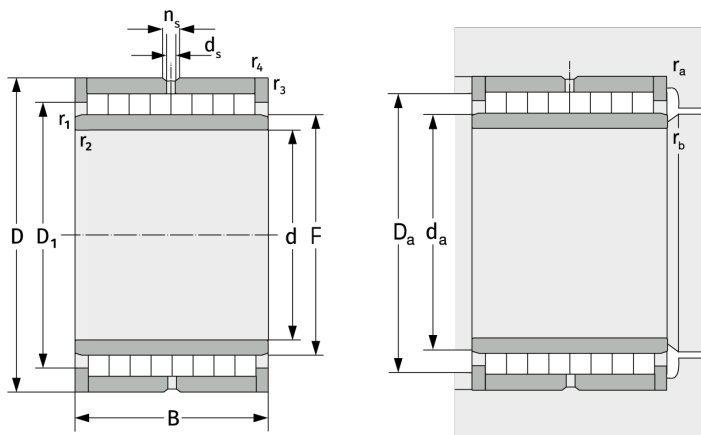
Cylindrical Roller Bearings (full complement, multi row)



Details:

Main dimensions

d [mm]	440	d_s [mm]	8
D [mm]	600	n_s [mm]	15
B [mm]	290	$r_{1,2}$ [mm]	4
Weight [kg]	≈ 264	$r_{3,4}$ [mm]	4
D_1 [mm]	≈ 540.2		



Mating dimensions

$d_{a, \min}$ [mm]	455
$D_{a, \max}$ [mm]	585
$r_{a, \max}$ [mm]	3
$r_{b, \max}$ [mm]	3

Calculation data

C [kN]	4780
C_0 [kN]	16200
C_u [kN]	1377