

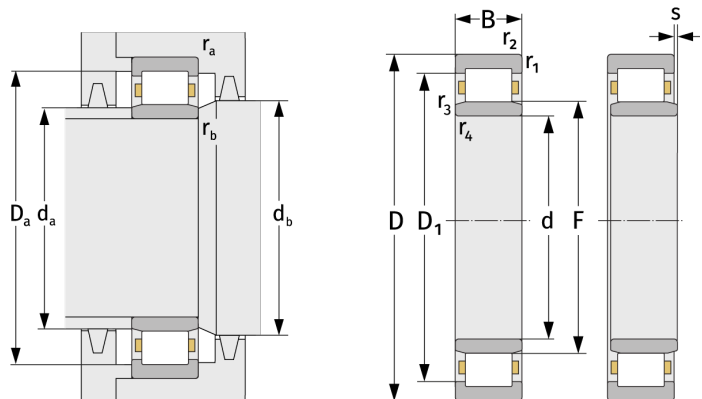
# NU1020M3

Cylindrical Roller Bearings (single row, with cage)



## Details:

Main dimensions			
d [mm]	100	$D_1$ [mm]	$\approx 132.2$
D [mm]	150	$r_{1,2}$ [mm]	1.5
B [mm]	24	$r_{3,4}$ [mm]	1.1
Weight [kg]	$\approx 1.44$	s [mm]	3.8
F [mm]	113		



Mating dimensions		Calculation data	
$d_{a, \min}$ [mm]	107	C [kN]	102
$d_{a, \max}$ [mm]	111	$C_0$ [kN]	142
$d_{b, \min}$ [mm]	116	$C_u$ [kN]	18.1
$D_{a, \max}$ [mm]	143	$n_{th}$ [ $\text{min}^{-1}$ ]	4103
$r_{a, \max}$ [mm]	1.5	$n_g$ [ $\text{min}^{-1}$ ]	5800
$r_{b, \max}$ [mm]	1		