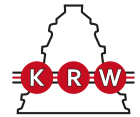


NU1922E.M3

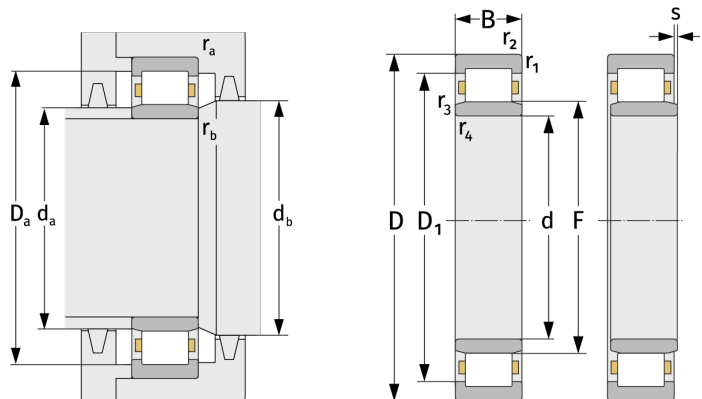
Cylindrical Roller Bearings (single row, with cage)



Details:

Main dimensions

d [mm]	110	D_1 [mm]	≈ 136.5
D [mm]	150	$r_{1,2}$ [mm]	1.1
B [mm]	20	$r_{3,4}$ [mm]	1
Weight [kg]	≈ 1.01	s [mm]	1.6
F [mm]	120.5		



Mating dimensions

$d_{a, \min}$ [mm]	116
$d_{a, \max}$ [mm]	119
$d_{b, \min}$ [mm]	124
$D_{a, \max}$ [mm]	144
$r_{a, \max}$ [mm]	1
$r_{b, \max}$ [mm]	1

Calculation data

C [kN]	88.9
C_0 [kN]	139
C_u [kN]	17.4
n_{th} [min^{-1}]	3509
n_g [min^{-1}]	5600