

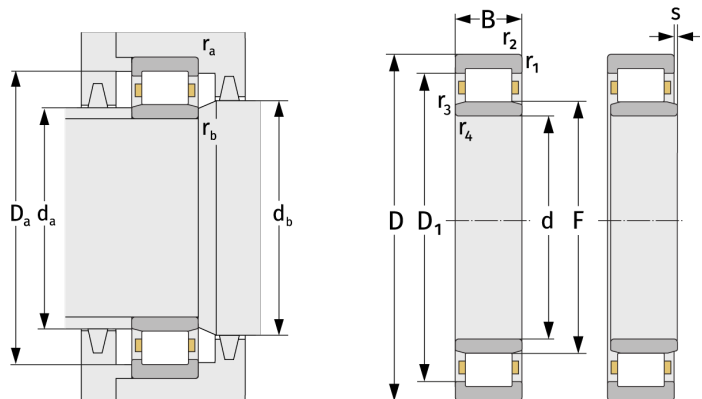
# NU20/500E.M3

Cylindrical Roller Bearings (single row, with cage)



## Details:

Main dimensions			
d [mm]	500	D <sub>1</sub> [mm]	≈ 649
D [mm]	720	r <sub>1,2</sub> [mm]	6
B [mm]	128	r <sub>3,4</sub> [mm]	6
Weight [kg]	≈ 177	s [mm]	7
F [mm]	553		



Mating dimensions		Calculation data	
d <sub>a,min</sub> [mm]	523	C [kN]	2990
d <sub>a,max</sub> [mm]	548	C <sub>0</sub> [kN]	5900
d <sub>b,min</sub> [mm]	558	C <sub>u</sub> [kN]	477
D <sub>a,max</sub> [mm]	697	n <sub>th</sub> [min <sup>-1</sup> ]	501
r <sub>a,max</sub> [mm]	5	n <sub>g</sub> [min <sup>-1</sup> ]	1000
r <sub>b,max</sub> [mm]	5		