

# NU2016E.M3

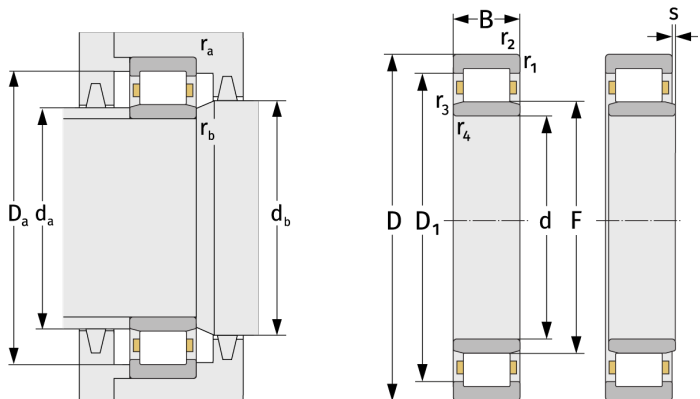
Cylindrical Roller Bearings (single row, with cage)



## Details:

### Main dimensions

d [mm]	80	$D_1$ [mm]	$\approx 110.2$
D [mm]	125	$r_{1,2}$ [mm]	1.1
B [mm]	27	$r_{3,4}$ [mm]	1
Weight [kg]	$\approx 1.25$	s [mm]	2
F [mm]	91		



### Mating dimensions

$d_{a, \min}$ [mm]	86
$d_{a, \max}$ [mm]	89
$d_{b, \min}$ [mm]	93
$D_{a, \max}$ [mm]	119
$r_{a, \max}$ [mm]	1
$r_{b, \max}$ [mm]	1

### Calculation data

C [kN]	126
$C_0$ [kN]	175
$C_u$ [kN]	23.6
$n_{th}$ [ $\text{min}^{-1}$ ]	4583
$n_g$ [ $\text{min}^{-1}$ ]	7100