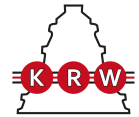


NU2024E.M3

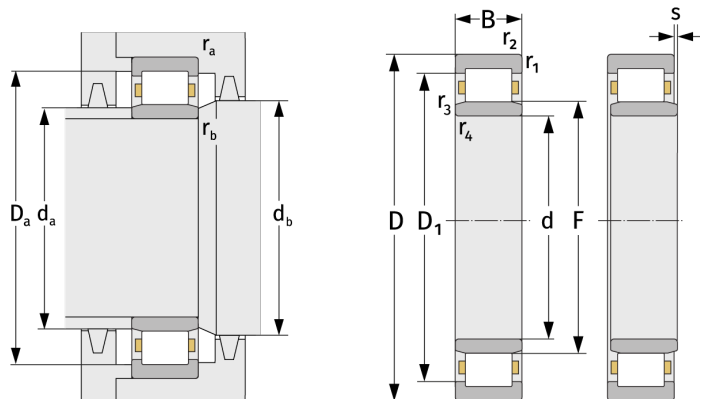
Cylindrical Roller Bearings (single row, with cage)



Details:

Main dimensions

d [mm]	120	D_1 [mm]	≈ 160.6
D [mm]	180	$r_{1,2}$ [mm]	2
B [mm]	36	$r_{3,4}$ [mm]	1.1
Weight [kg]	≈ 3.26	s [mm]	2
F [mm]	135		



Mating dimensions

$d_{a, \min}$ [mm]	128.8
$d_{a, \max}$ [mm]	133
$d_{b, \min}$ [mm]	137
$D_{a, \max}$ [mm]	171.2
$r_{a, \max}$ [mm]	2
$r_{b, \max}$ [mm]	1

Calculation data

C [kN]	235
C_0 [kN]	359
C_u [kN]	43.4
n_{th} [min^{-1}]	3268
n_g [min^{-1}]	4800