

# NU2080E.M3

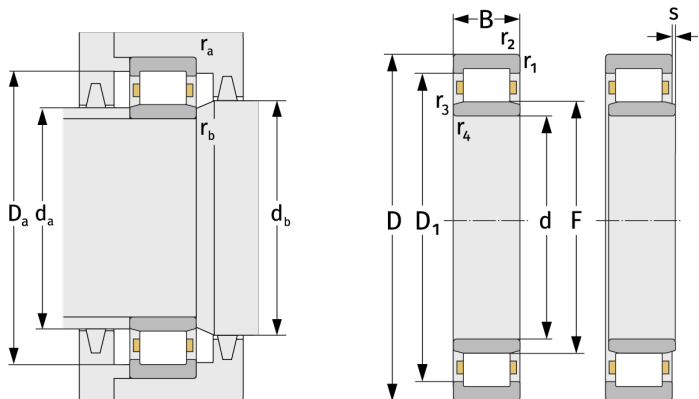
Cylindrical Roller Bearings (single row, with cage)



## Details:

### Main dimensions

d [mm]	400	$D_1$ [mm]	≈ 530
D [mm]	600	$r_{1,2}$ [mm]	5
B [mm]	118	$r_{3,4}$ [mm]	5
Weight [kg]	≈ 123	s [mm]	6.5
F [mm]	450		



### Mating dimensions

$d_{a, \min}$ [mm]	418
$d_{a, \max}$ [mm]	446
$d_{b, \min}$ [mm]	454
$D_{a, \max}$ [mm]	582
$r_{a, \max}$ [mm]	4
$r_{b, \max}$ [mm]	4

### Calculation data

C [kN]	2270
$C_0$ [kN]	4390
$C_u$ [kN]	377
$n_{th}$ [ $\text{min}^{-1}$ ]	668
$n_g$ [ $\text{min}^{-1}$ ]	1300