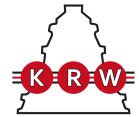


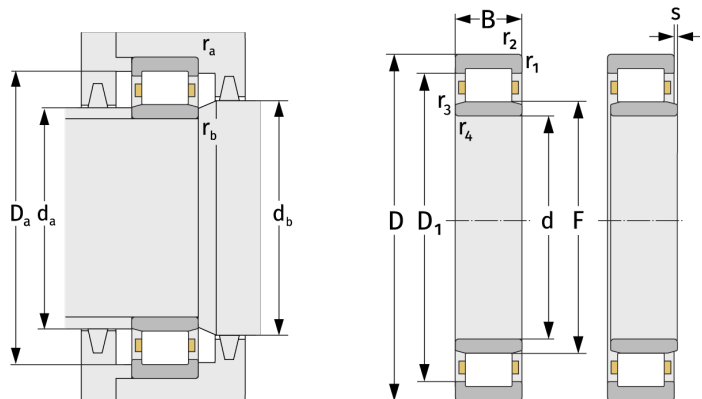
# NU218E.M3

Cylindrical Roller Bearings (single row, with cage)



## Details:

Main dimensions			
d [mm]	90	D <sub>1</sub> [mm]	≈ 137.4
D [mm]	160	r <sub>1,2</sub> [mm]	2
B [mm]	30	r <sub>3,4</sub> [mm]	2
Weight [kg]	≈ 2.62	s [mm]	2.5
F [mm]	107		



Mating dimensions		Calculation data	
d <sub>a,min</sub> [mm]	101	C [kN]	187
d <sub>a,max</sub> [mm]	105	C <sub>0</sub> [kN]	225
d <sub>b,min</sub> [mm]	109	C <sub>u</sub> [kN]	28.6
D <sub>a,max</sub> [mm]	149	n <sub>th</sub> [min <sup>-1</sup> ]	3884
r <sub>a,max</sub> [mm]	2	n <sub>g</sub> [min <sup>-1</sup> ]	5800
r <sub>b,max</sub> [mm]	2		