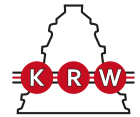


# NU2217E.M3

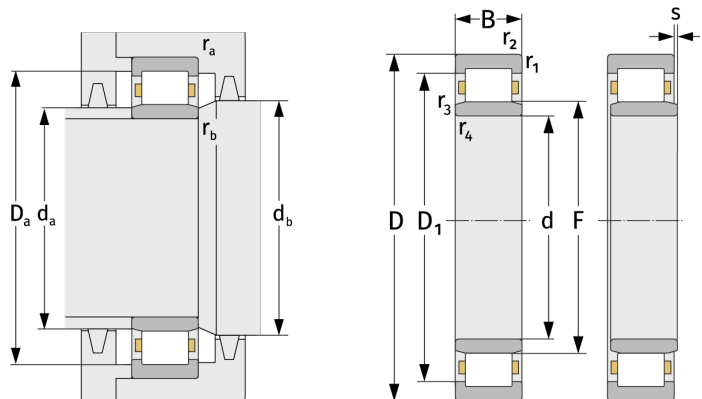
Cylindrical Roller Bearings (single row, with cage)



## Details:

### Main dimensions

d [mm]	85	$D_1$ [mm]	$\approx 129.3$
D [mm]	150	$r_{1,2}$ [mm]	2
B [mm]	36	$r_{3,4}$ [mm]	2
Weight [kg]	$\approx 2.8$	s [mm]	2.4
F [mm]	100.5		



### Mating dimensions

$d_{a, \min}$ [mm]	96
$d_{a, \max}$ [mm]	99
$d_{b, \min}$ [mm]	104
$D_{a, \max}$ [mm]	139
$r_{a, \max}$ [mm]	2
$r_{b, \max}$ [mm]	2

### Calculation data

C [kN]	220
$C_0$ [kN]	281
$C_u$ [kN]	36.4
$n_{th}$ [ $\text{min}^{-1}$ ]	3310
$n_g$ [ $\text{min}^{-1}$ ]	6200