

# NU226E.M3

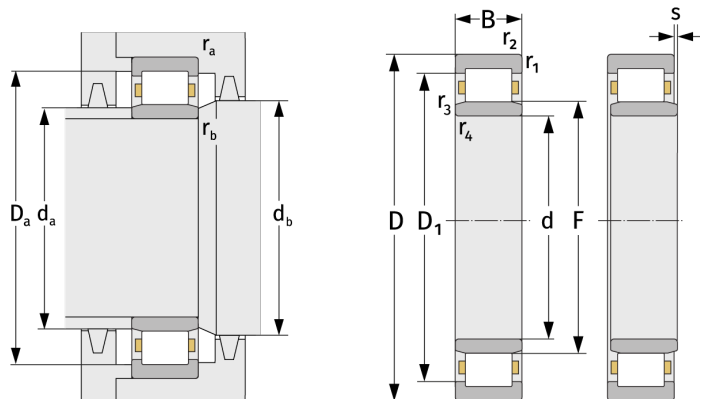
Cylindrical Roller Bearings (single row, with cage)



## Details:

### Main dimensions

d [mm]	130	$D_1$ [mm]	$\approx 198.3$
D [mm]	230	$r_{1,2}$ [mm]	3
B [mm]	40	$r_{3,4}$ [mm]	3
Weight [kg]	$\approx 7.26$	s [mm]	3.8
F [mm]	153.5		



### Mating dimensions

$d_{a, \min}$ [mm]	144
$d_{a, \max}$ [mm]	151
$d_{b, \min}$ [mm]	158
$D_{a, \max}$ [mm]	216
$r_{a, \max}$ [mm]	2.5
$r_{b, \max}$ [mm]	2.5

### Calculation data

C [kN]	369
$C_0$ [kN]	461
$C_u$ [kN]	52.9
$n_{th}$ [ $\text{min}^{-1}$ ]	2809
$n_g$ [ $\text{min}^{-1}$ ]	4000