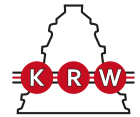


# NU2272E.M3

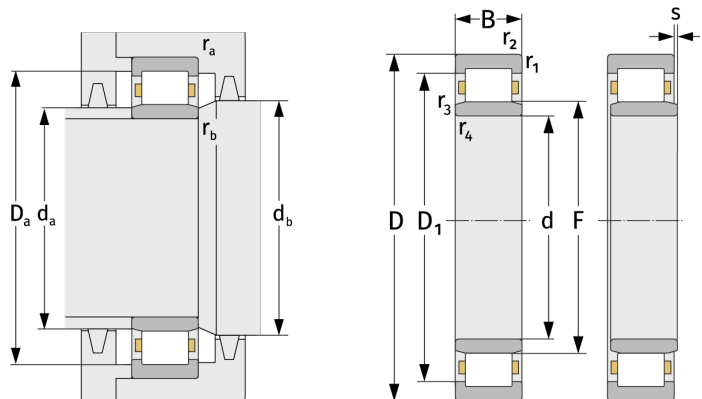
Cylindrical Roller Bearings (single row, with cage)



## Details:

### Main dimensions

d [mm]	360	$D_1$ [mm]	≈ 556
D [mm]	650	$r_{1,2}$ [mm]	6
B [mm]	170	$r_{3,4}$ [mm]	6
Weight [kg]	≈ 257	s [mm]	15
F [mm]	428		



### Mating dimensions

$d_{a, \min}$ [mm]	386
$d_{a, \max}$ [mm]	424
$d_{b, \min}$ [mm]	432
$D_{a, \max}$ [mm]	624
$r_{a, \max}$ [mm]	5
$r_{b, \max}$ [mm]	5

### Calculation data

C [kN]	3750
$C_0$ [kN]	6050
$C_u$ [kN]	518
$n_{th}$ [ $\text{min}^{-1}$ ]	497
$n_g$ [ $\text{min}^{-1}$ ]	1300