

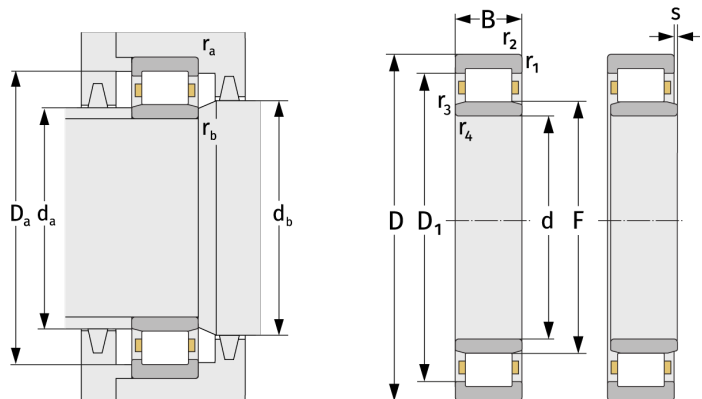
# NU2324E.M3

Cylindrical Roller Bearings (single row, with cage)



## Details:

Main dimensions			
d [mm]	120	$D_1$ [mm]	$\approx 214.8$
D [mm]	260	$r_{1,2}$ [mm]	3
B [mm]	86	$r_{3,4}$ [mm]	3
Weight [kg]	$\approx 23.4$	s [mm]	4.5
F [mm]	154		



Mating dimensions		Calculation data	
$d_{a, \min}$ [mm]	134	C [kN]	805
$d_{a, \max}$ [mm]	151	$C_0$ [kN]	1040
$d_{b, \min}$ [mm]	156	$C_u$ [kN]	117
$D_{a, \max}$ [mm]	246	$n_{th}$ [ $\text{min}^{-1}$ ]	1977
$r_{a, \max}$ [mm]	2.5	$n_g$ [ $\text{min}^{-1}$ ]	3700
$r_{b, \max}$ [mm]	2.5		