

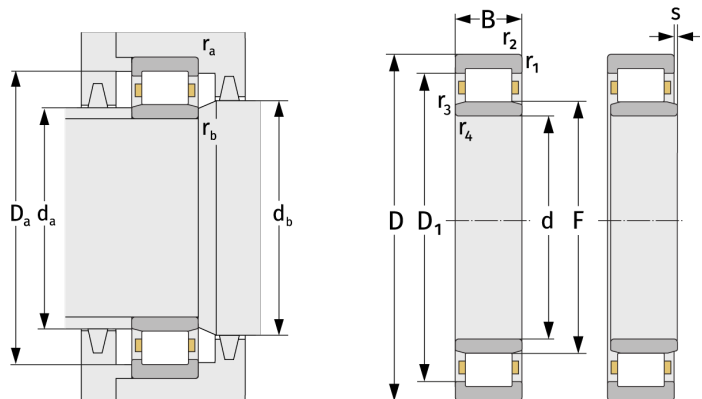
NU248E.M3

Cylindrical Roller Bearings (single row, with cage)



Details:

Main dimensions			
d [mm]	240	D ₁ [mm]	≈ 373
D [mm]	440	r _{1,2} [mm]	4
B [mm]	72	r _{3,4} [mm]	4
Weight [kg]	≈ 50.4	s [mm]	5
F [mm]	293		



Mating dimensions		Calculation data	
d _{a,min} [mm]	257	C [kN]	1140
d _{a,max} [mm]	290	C ₀ [kN]	1590
d _{b,min} [mm]	296	C _u [kN]	152
D _{a,max} [mm]	423	n _{th} [min ⁻¹]	1245
r _{a,max} [mm]	3	n _g [min ⁻¹]	2000
r _{b,max} [mm]	3		