

NU2972E.M3

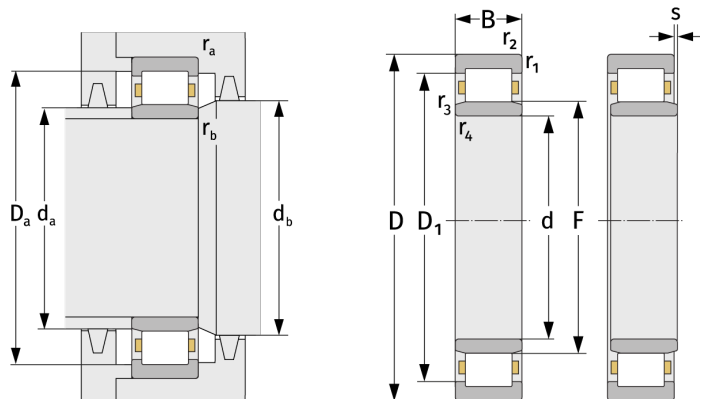
Cylindrical Roller Bearings (single row, with cage)



Details:

Main dimensions

d [mm]	360	D_1 [mm]	≈ 441.2
D [mm]	480	$r_{1,2}$ [mm]	3
B [mm]	72	$r_{3,4}$ [mm]	3
Weight [kg]	≈ 37.3	s [mm]	3.9
F [mm]	390		



Mating dimensions

$d_{a, \min}$ [mm]	372.4
$d_{a, \max}$ [mm]	386
$d_{b, \min}$ [mm]	394
$D_{a, \max}$ [mm]	467.6
$r_{a, \max}$ [mm]	2.5
$r_{b, \max}$ [mm]	2.5

Calculation data

C [kN]	1110
C_0 [kN]	2280
C_u [kN]	206
n_{th} [min^{-1}]	862
n_g [min^{-1}]	1600