

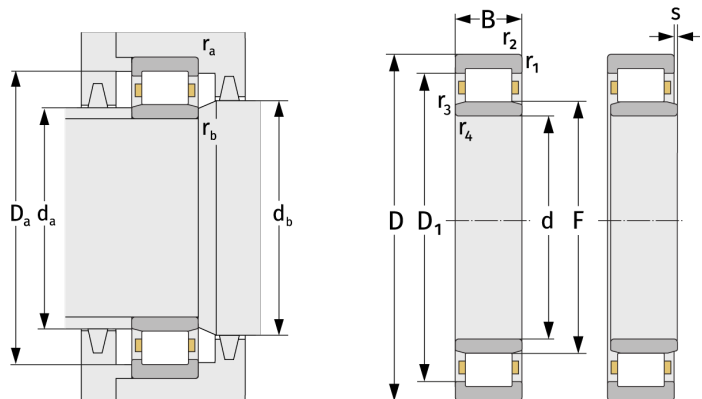
# NU315E.M3

Cylindrical Roller Bearings (single row, with cage)



## Details:

Main dimensions			
d [mm]	75	$D_1$ [mm]	$\approx 133.4$
D [mm]	160	$r_{1,2}$ [mm]	2.1
B [mm]	37	$r_{3,4}$ [mm]	2.1
Weight [kg]	$\approx 3.73$	s [mm]	3
F [mm]	95		



Mating dimensions		Calculation data	
$d_{a, \min}$ [mm]	87	C [kN]	244
$d_{a, \max}$ [mm]	93	$C_0$ [kN]	268
$d_{b, \min}$ [mm]	97	$C_u$ [kN]	34.7
$D_{a, \max}$ [mm]	148	$n_{th}$ [ $\text{min}^{-1}$ ]	4204
$r_{a, \max}$ [mm]	2.1	$n_g$ [ $\text{min}^{-1}$ ]	6100
$r_{b, \max}$ [mm]	2.1		