

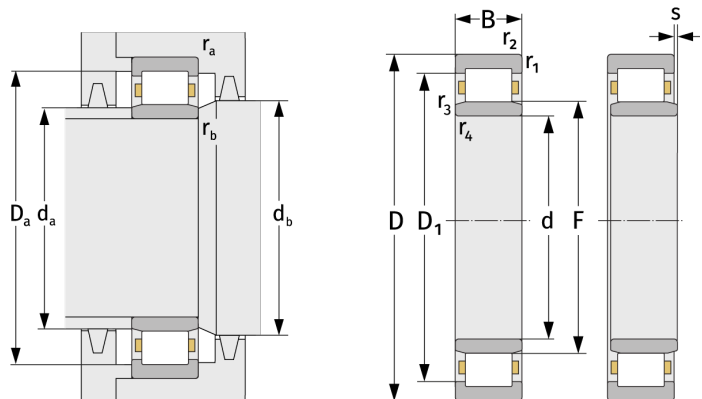
NU320E.M3

Cylindrical Roller Bearings (single row, with cage)



Details:

Main dimensions			
d [mm]	100	D ₁ [mm]	≈ 178.7
D [mm]	215	r _{1,2} [mm]	3
B [mm]	47	r _{3,4} [mm]	3
Weight [kg]	≈ 8.53	s [mm]	3.3
F [mm]	127.5		



Mating dimensions		Calculation data	
d _{a,min} [mm]	114	C [kN]	391
d _{a,max} [mm]	125	C ₀ [kN]	439
d _{b,min} [mm]	132	C _u [kN]	52.3
D _{a,max} [mm]	201	n _{th} [min ⁻¹]	3343
r _{a,max} [mm]	2.5	n _g [min ⁻¹]	4500
r _{b,max} [mm]	2.5		