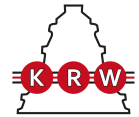


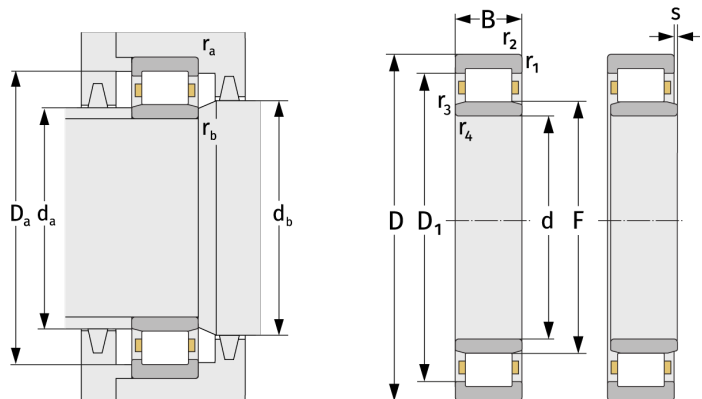
# NU368E.M3

Cylindrical Roller Bearings (single row, with cage)



## Details:

Main dimensions			
d [mm]	340	$D_1$ [mm]	$\approx 581.6$
D [mm]	710	$r_{1,2}$ [mm]	7.5
B [mm]	118	$r_{3,4}$ [mm]	7.5
Weight [kg]	$\approx 241$	s [mm]	9.7
F [mm]	450.4		



Mating dimensions		Calculation data	
$d_{a, \min}$ [mm]	372	C [kN]	2720
$d_{a, \max}$ [mm]	447	$C_0$ [kN]	4000
$d_{b, \min}$ [mm]	454	$C_u$ [kN]	337
$D_{a, \max}$ [mm]	678	$n_{th}$ [ $\text{min}^{-1}$ ]	620
$r_{a, \max}$ [mm]	6	$n_g$ [ $\text{min}^{-1}$ ]	1200
$r_{b, \max}$ [mm]	6		