

NU3940E.M3

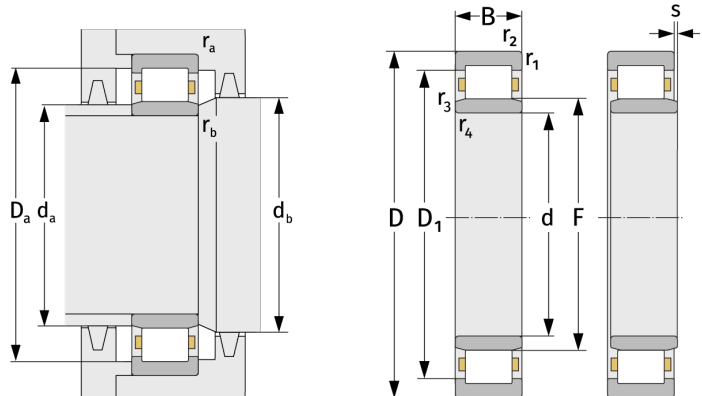
Cylindrical Roller Bearings (single row, with cage)



Details:

Main dimensions

d [mm]	200	D_1 [mm]	≈ 253.6
D [mm]	280	$r_{1,2}$ [mm]	2.1
B [mm]	60	$r_{3,4}$ [mm]	1.5
Weight [kg]	≈ 11.8	s [mm]	3.2
F [mm]	220		



Mating dimensions

$d_{a, \min}$ [mm]	210.2
$d_{a, \max}$ [mm]	217
$d_{b, \min}$ [mm]	223
$D_{a, \max}$ [mm]	269.8
$r_{a, \max}$ [mm]	2.1
$r_{b, \max}$ [mm]	1.5

Calculation data

C [kN]	545
C_0 [kN]	1030
C_u [kN]	108
n_{th} [min^{-1}]	1763
n_g [min^{-1}]	2900